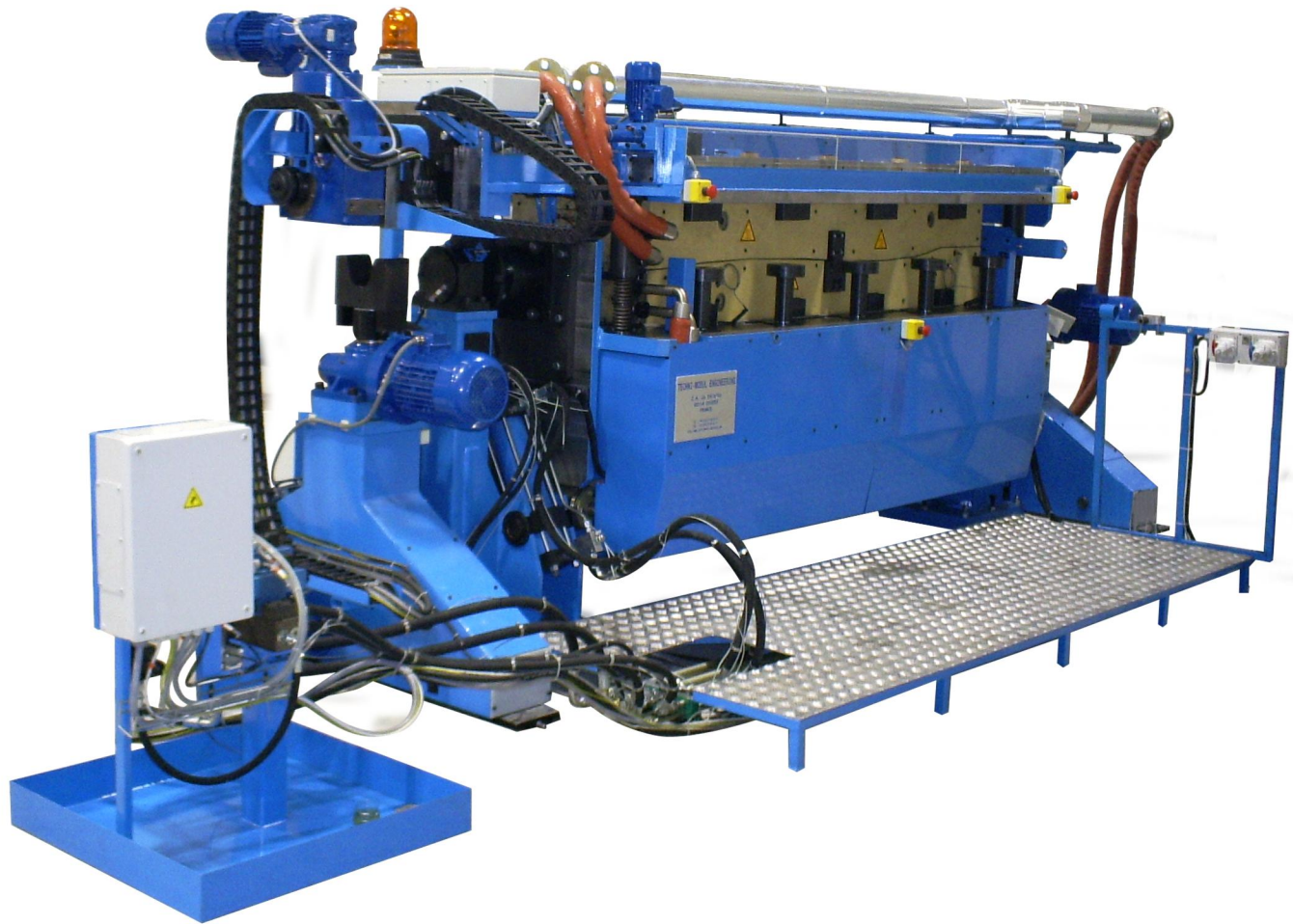


RTM PRESS SYSTEMS



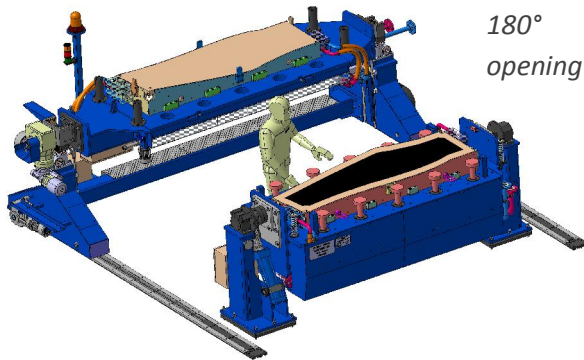
**Complete turn-key RTM solutions
adapted to customer needs**

Marc Ruddy Thimon
Sales & Business Development Manager
Cell: (682) 551-8569

Composite Alliance Corp.
6060 N. Central Expressway, suite 500
Dallas TX 75206

CHARACTERISTICS

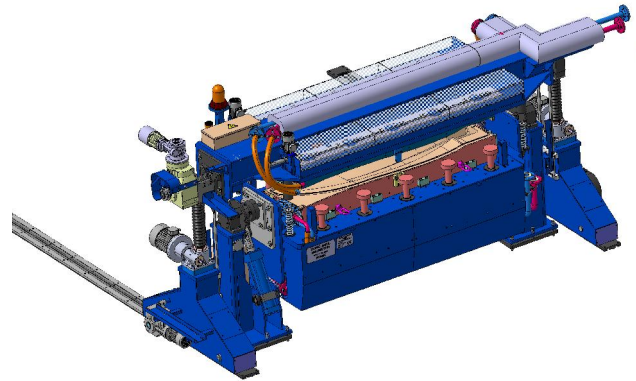
1



180°
opening

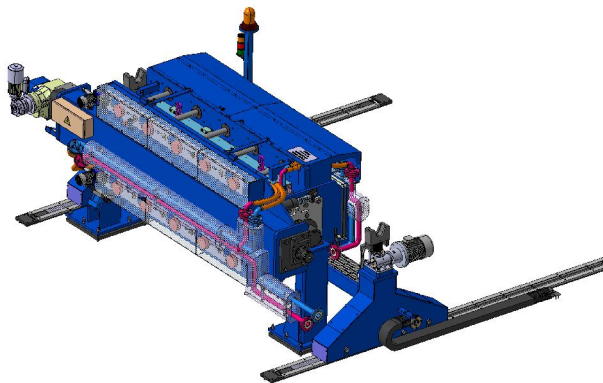
Positioning of the preform or compacted part

2



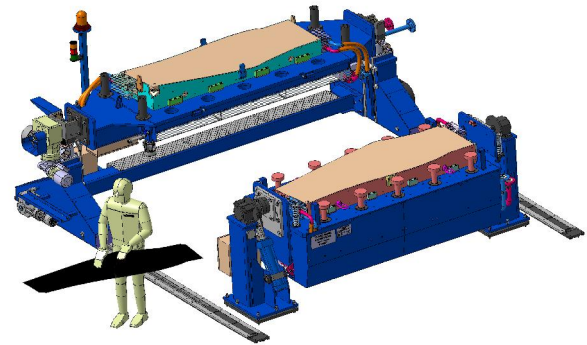
Closing of the upper frame

3



Rotation for optimized injection and polymerization

4



Translation of the upper frame and return into initial position for demolding & cleaning

- Standard and custom made RTM press systems
- Integrated turn-key solution
- Thermal system configured for complete homogeneity of the molded part
- Clamp by hydraulic cylinder system
- Supervision set up adapted to your requirements
- PLC for process data capture, storage and reporting (temperature, pressure, vacuum)
- Press opening ergonomic adjustable to customer needs (possible rotation up to 180°)
- Completely secured production line (CE Certification)
- Variable dimensions up to 15 m / 49.2 ft long